



**John
BOOS**
Since 1887

ITEM #: _____ QTY: _____
 MODEL #: _____
 PROJECT NAME: _____

081619

3601 S. Banker St. Effingham, IL 62401 • P.O. BOX 609 • Ph: (888) 431-2667 • Fax: (800) 433-2667

"ST6-SBK" STAINLESS STEEL TOP WORK TABLES

16GA TOP AND STAINLESS STEEL LEGS AND ADJUSTABLE BRACING



FEATURES:

- 16 GAUGE STAINLESS STEEL TOP
- TYPE 300 STAINLESS STEEL WITH # 4 POLISH, SATIN FINISH
- TOP IS SOUND DEADENED
- REINFORCED WITH 1"X2" CHANNEL RUNNING ENTIRE LENGTH OF TABLE
- 1-1/2" STALLION EDGE ON FRONT AND REAR WITH SIDE EDGES 90 DEGREE BEND DOWN FOR TABLE LINE-UP
- STAINLESS BASE WITH ADJUSTABLE BRACING
- ADJUSTABLE BULLET FEET
- SHIPPED KNOCKED-DOWN, EASY-TO-ASSEMBLE
- NSF AND CSA CERTIFIED



ST6-3048SBK

CONSTRUCTION:

- TOP: STAINLESS STEEL TOPS ARE TIG WELDED, EXPOSED WELDS ARE POLISHED TO MATCH ADJACENT SURFACE.

MATERIAL:

- TOP: 16 GAUGE STAINLESS STEEL TYPE 300 STAINLESS STEEL WITH # 4 POLISH, SATIN FINISH
- BRACING: 1-1/4" ROUND O.D. 18 GAUGE STAINLESS STEEL
- LEGS: 1-5/8" ROUND O.D., 16 GAUGE TUBULAR STAINLESS STEEL
- GUSSETS: STAINLESS STEEL
- FEET: 1" ADJUSTABLE STAINLESS BULLET FEET

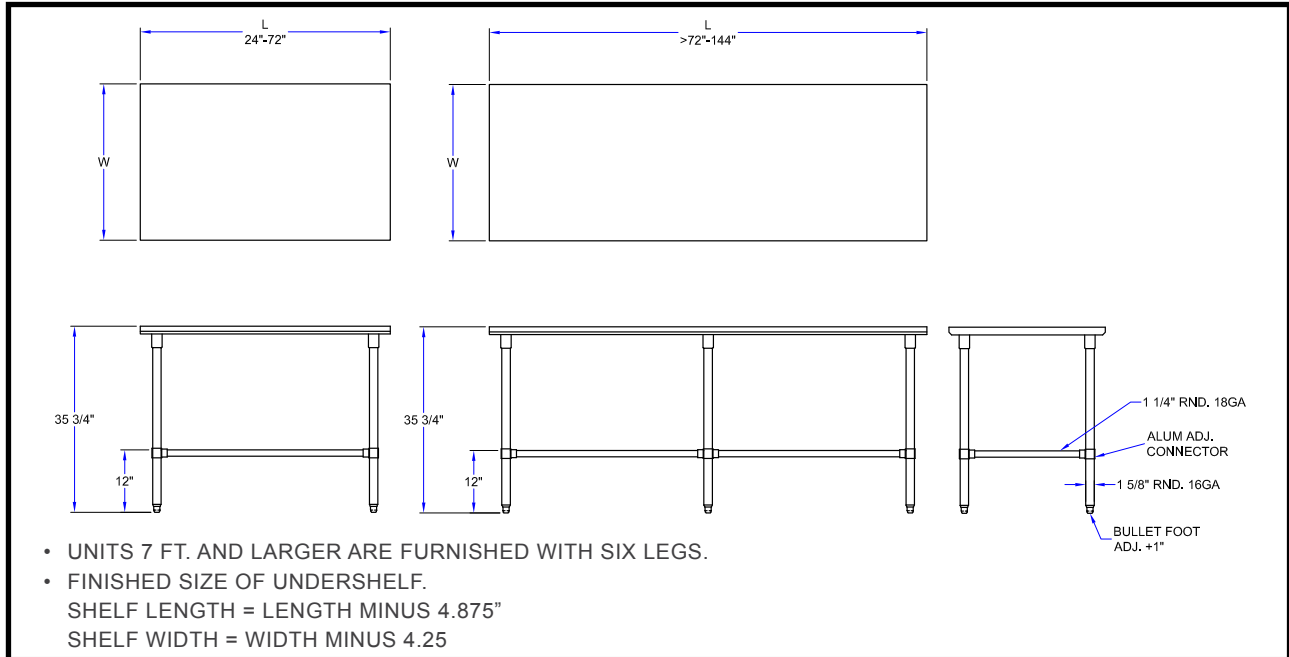
OPTIONAL ACCESSORIES

DESCRIPTION	MODEL #	QTY
DRAWER		
DRAWER LOCK		
CASTERS		
OVERSHELVES		
SINKS		
POT RACK		

16 GAUGE TOP W/ ADJUSTABLE BRACING

24" WIDE	QTY	30" WIDE	QTY	36" WIDE	QTY	48" WIDE	QTY
ST6-2424SBK		ST6-3024SBK		ST6-3624SBK		-	
ST6-2430SBK		ST6-3030SBK		ST6-3630SBK		-	
ST6-2436SBK		ST6-3036SBK		ST6-3636SBK		-	
ST6-2448SBK		ST6-3048SBK		ST6-3648SBK		ST6-4848SBK	
ST6-2460SBK		ST6-3060SBK		ST6-3660SBK		ST4-4860SBK	
ST6-2472SBK		ST6-3072SBK		ST6-3672SBK		ST4-4872SBK	
ST6-2484SBK		ST6-3084SBK		ST6-3684SBK		ST4-4884SBK	
ST6-2496SBK		ST6-3096SBK		ST6-3696SBK		ST4-4896SBK	
ST6-24108SBK		ST6-30108SBK		ST6-36108SBK		ST4-48108SBK	
ST6-24120SBK		ST6-30120SBK		ST6-36120SBK		ST4-8120SBK	
ST6-24132SBK		ST6-30132SBK		ST6-36132SBK		ST4-48132SBK	
ST6-24144SBK		ST6-30144SBK		ST6-36144SBK		ST4-48144SBK	

DETAILED SPECIFICATIONS



16 GAUGE TOP W/ ADJUSTABLE BRACING

LENGTH	24" WIDE	WT. (LBS)	30" WIDE	WT. (LBS)	36" WIDE	WT. (LBS)	48" WIDE	WT. (LBS)
24"	ST6-2424SBK	38	ST6-3024SBK	42	ST6-3624SBK	48	-	-
30"	ST6-2430SBK	42	ST6-3030SBK	47	ST6-3630SBK	54	-	-
36"	ST6-2436SBK	47	ST6-3036SBK	52	ST6-3636SBK	59	-	-
48"	ST6-2448SBK	56	ST6-3048SBK	62	ST6-3648SBK	70	ST6-4848SBK	76
60"	ST6-2460SBK	64	ST6-3060SBK	72	ST6-3660SBK	80	ST6-4860SBK	93
72"	ST6-2472SBK	73	ST6-3072SBK	81	ST6-3672SBK	91	ST6-4872SBK	109
84"	ST6-2484SBK	90	ST6-3084SBK	101	ST6-3684SBK	114	ST6-4884SBK	137
96"	ST6-2496SBK	98	ST6-3096SBK	110	ST6-3696SBK	126	ST6-4896SBK	151
108"	ST6-24108SBK	106	ST6-30108SBK	119	ST6-36108SBK	136	ST6-48108SBK	164
120"	ST6-24120SBK	115	ST6-30120SBK	129	ST6-36120SBK	147	ST6-8120SBK	215
132"	ST6-24132SBK	124	ST6-30132SBK	139	ST6-36132SBK	158	ST6-48132SBK	232
144"	ST6-24144SBK	134	ST6-30144SBK	150	ST6-36144SBK	171	ST6-48144SBK	250

MODEL # STRUCTURE

24 = WIDTH OF WORK SURFACE
 6 = 16GA WORK SURFACE
 ST = STAINLESS STEEL TOP



ST6-2430SBK

SOME UNITS SHIP UNASSEMBLED FOR REDUCED SHIPPING COST. ALL DIMENSIONS ARE TYPICAL. TOLERANCE +/- .500"

John Boos & Co. is constantly engaged in a program of improving products and therefore reserves the right to change specifications without prior notice.



3601 S. Banker St. • Effingham, IL 62401 • PO BOX 609 • quotes@johnboos.com

081219



www.johnboos.com

948